

HGWC

HOSPITAL GRADE WELDED CEILING SYSTEM



Photographer: BRUCE T. MARTIN, 2011



HGWC

Hospital Grade Welded Ceiling System

The Hospital Grade Welded Ceiling System (HGWC) is a heavy duty, extruded aluminum ceiling suspension system designed to support diffusers, in-fill panels and light fixtures in a variety of critical environments. The HGWC is fully customizable to match the demanding and often crowded modern hospital and cleanroom ceiling layouts, while ensuring compliance with ASHRAE 170, FGI Guidelines for Design and Construction of Health Care Facilities and USP 797/800. A continuous gasket prevents particulate migration between the ceiling plenum and occupied space, while the sterile white powder coat finish is formulated to resist deterioration from hospital-grade cleaners and disinfectants.

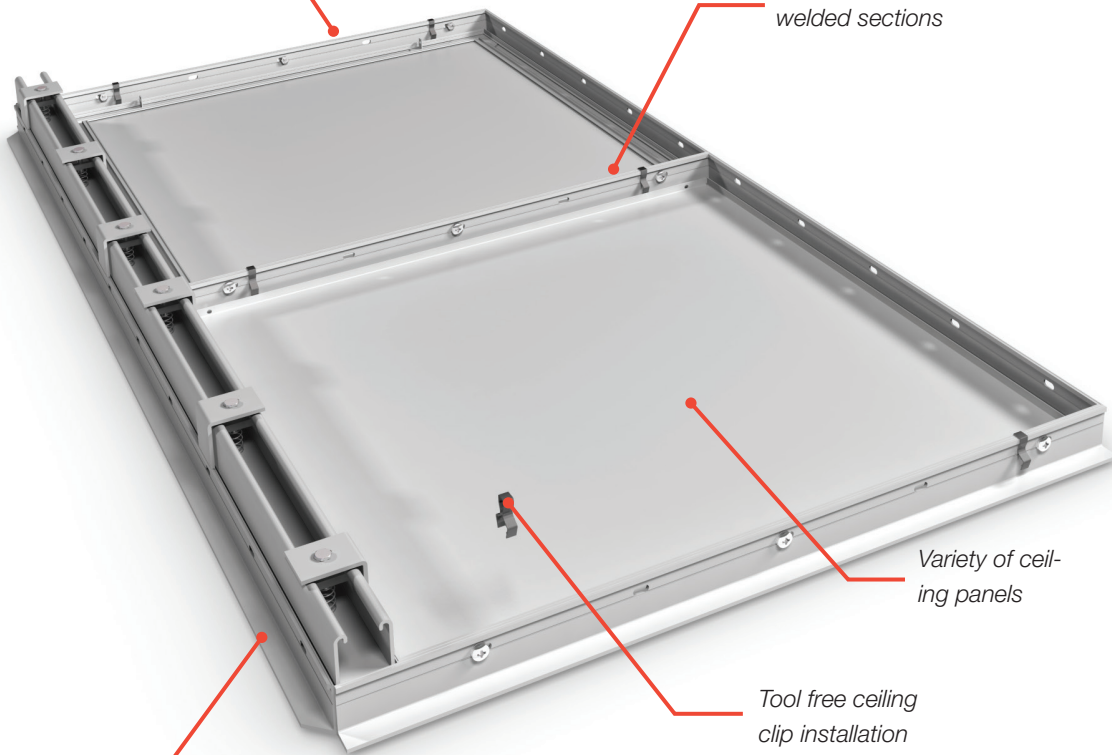
*Patented ceiling access clip
allows any ceiling panel to
function as an access door*

*Ships in large factory
welded sections*

*Variety of ceiling
panels*

*Tool free ceiling
clip installation*

*Optional integrated
Unistrut®*



QUICK INSTALLATION AND ACCESSIBILITY DURING CONSTRUCTION

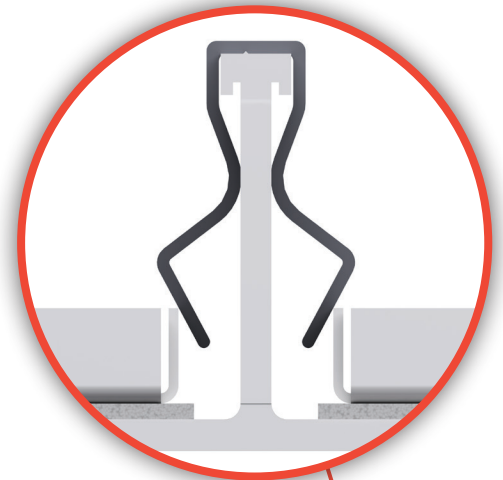
- + The HGWC ships in large, factory welded sections making onsite installation quick and easy. A typical 12 ft. x 14 ft. OR ceiling requires only six (6) sections for assembly.
- + Unlike sheetrock ceiling options, the HGWC allows access to all mechanical devices above the ceiling after the grid has been installed. This allows multiple trades to work in the same space at the same time, helping to compress the construction schedule.

PATENTED CEILING ACCESS CLIPS

- + Tool-free installation
- + Allows every ceiling panel to function as an access panel
- + Eliminates the need for unsightly sheetrock access doors

TYPICAL APPLICATIONS

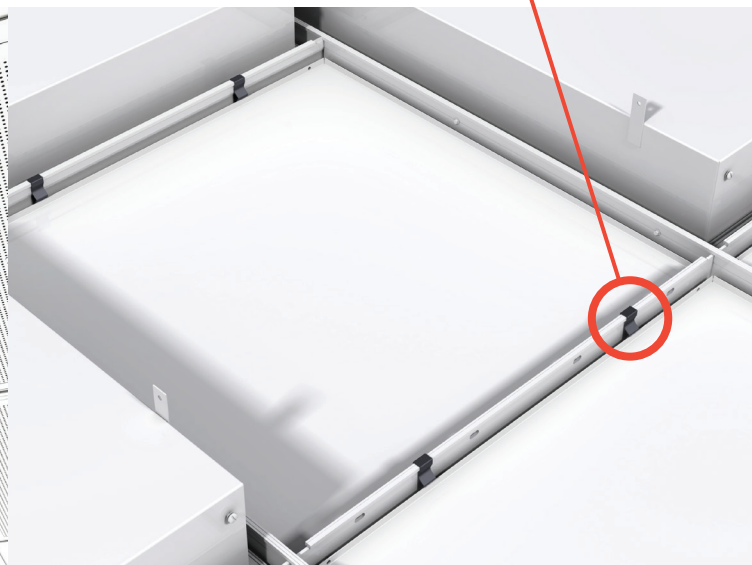
The HGWC is designed for use in any area demanding strict clean air control and easy access to the ceiling plenum above, including hospital operating rooms, laboratories, isolation rooms, pharmaceutical labs, microelectronics manufacturing facilities and cleanrooms.



Patented ceiling access clip



Easy ceiling access



ASTM HEAVY DUTY CONSTRUCTION RATING

- + Heavy duty aluminum extruded tees are factory welded
- + ASTM Heavy Duty rated ceiling system consisting of 1/8" thick tees and 1-1/2" wide face

FUTURE-PROOF THROUGH FLEXIBLE DESIGN AND MODULARITY

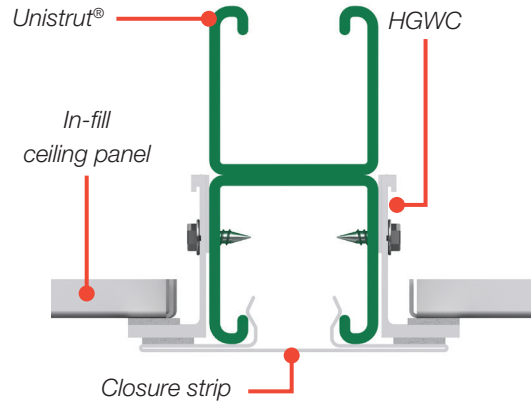
- + Modular sections and common module sizes provide long-term mechanical flexibility.
- + Lights, diffusers and panels of the same size are interchangeable and can be moved to help fulfil current and future design changes.

UNISTRUT® INTEGRATION FOR MODERN OPERATING ROOMS

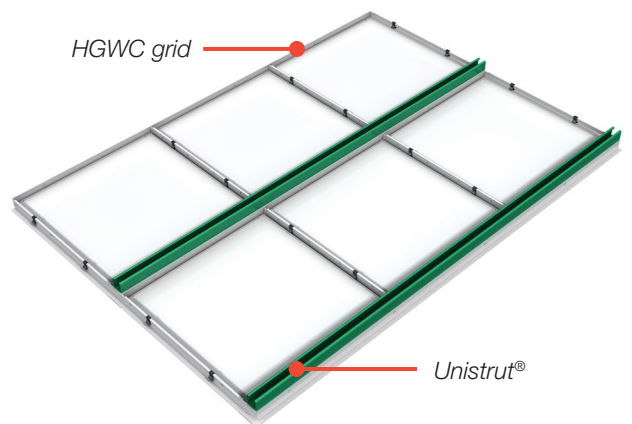
- + Seamless integration with ceiling level Unistrut® channels typically used in hybrid operating rooms and catheterization labs for ceiling mounting of imaging equipment.
- + Unistrut® and closure strips are available with matching powder coat finish for a fully integrated solution.

VARIETY OF CEILING PANELS

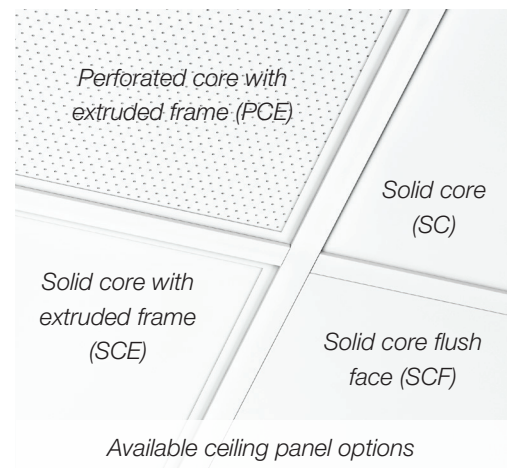
- + A variety of ceiling panels are available. The standard panel is solid, heavy gauge aluminum, while other options include an extruded border panel, as well as a perforated face panel with solid backpan to mimic the appearance of laminar diffusers.



Unistrut® cross section



HGWC with integrated Unistrut®



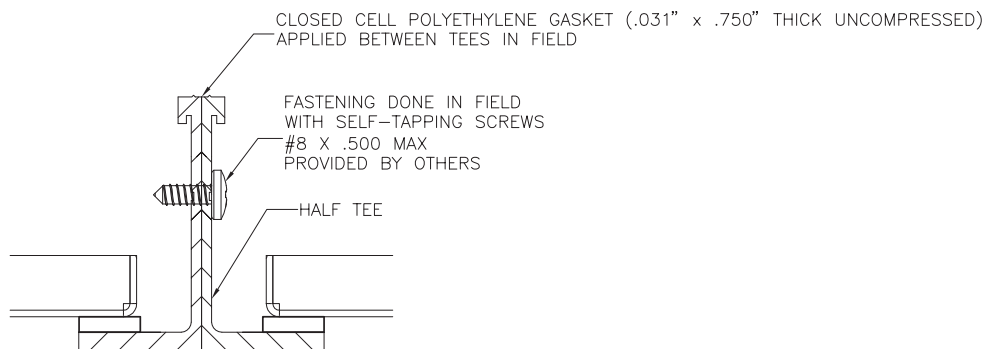
SEAMLESS SYSTEM INTEGRATION

- + The HGWC can be combined with laminar flow diffusers, radial flow diffusers, hospital operating room air curtain, fan filter units, integrated plenum systems and lighting components (by others) for a complete, integrated package.
- + Integrated systems have the advantage of providing single source responsibility for component performance and ensure correct interfacing of individual components.
- + Standard white powder coat paint is identical across all Price Critical Environment products, ensuring a perfect match for all integrated system components.

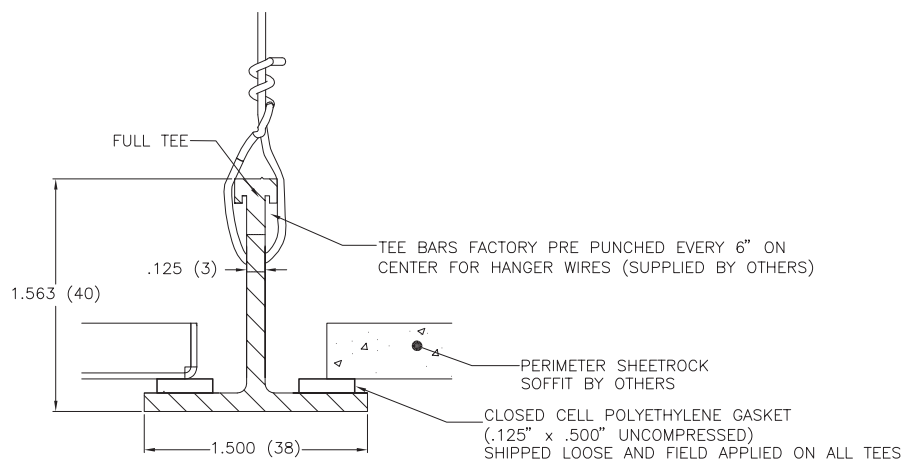


DIMENSIONAL DATA

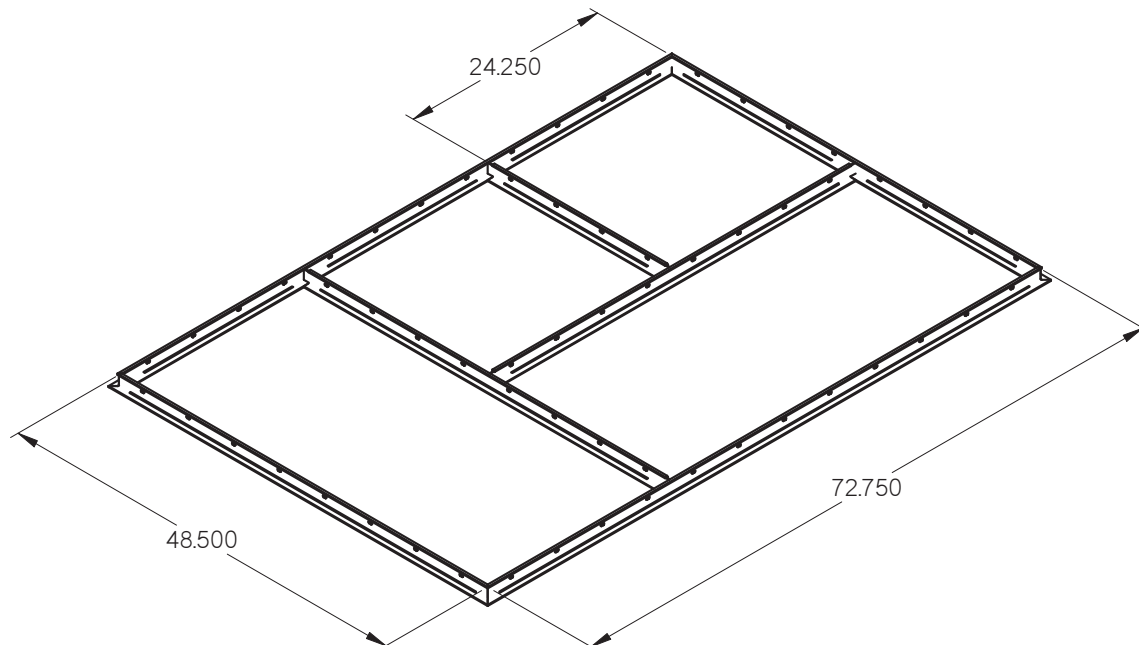
Half Tee Field Joint



Full Tee Perimeter



Example Section





Product Improvement is a continuing endeavour at Price. Therefore, specifications are subject to change without notice. Consult your Price Sales Representative for current specifications or more detailed information. Not all products may be available in all geographic areas. All goods described in this document are warranted as described in the Limited Warranty shown at priceindustries.com. The complete Price product catalog can be viewed online at priceindustries.com.